

Codoli per mandrini Pull studs for tool-holders ISO 7388-1 (DIN 69871)



CARATTERISTICHE TECNICHE:

- Costruiti in acciaio da cementazione legati al NiCrMo
- Cementati profondità 0,5-0,7 mm; temprati, rinvenuti, sabbiati e bruniti HRC60±2
- Rettificati su tutto il profilo di aggancio e sede mandrino

TECNICAL FEATURES:

- Made of hardened NiCrMo steel alloy
- case hardened to 0,5-0,7 mm, hardened, tempered, sandblasted and polished HRC60 ± 2
- Ground on all the coupling profile and spindle seat



ISO 7388-3 AD/AF - 75° (Din 69872)

p. 222



ISO 7388-3 AD - 75° (Din 69872) Double O-Ring

p. 222



ISO 7388-3 UD/UF - 45° (ISO 7388/2 B)

p. 223



ISO 7388 / 2 A - 75°

p. 223



MAZAK CAT METRIC 45°

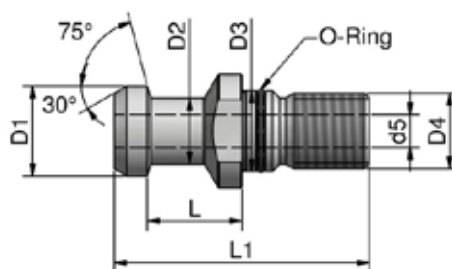
p. 224



OTT / ISO 7388-1 AD/AF

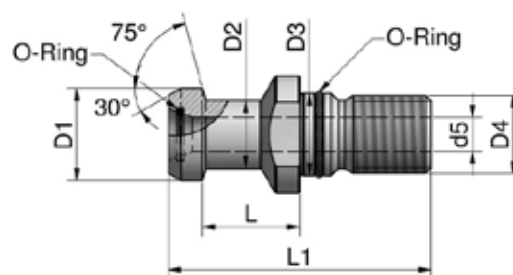
p. 224

CODOLI/PULL STUDS ISO 7388-3 AD/AF - 75° (Din 69872)



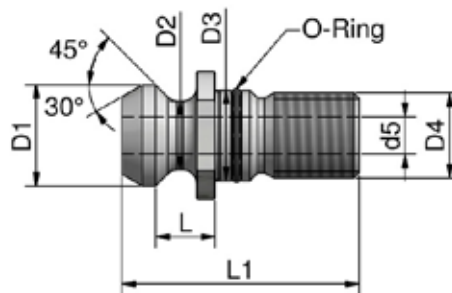
codice-code	d1	L	D2	D3	D4	d5 hole/foro	L1	α		application
FORATO WITH HOLE										
PST.D40.69872.75A-F7	19	20	14	17	M16	7	54	75°	with O-Ring	DIN 40
PST.D50.69872.75A-F11,5	28	25	21	25	M24	11,5	74	75°	with O-Ring	DIN 50
SENZA FORO WITHOUT HOLE										
PST.D30.69872.75B-X	13	19	9	12,5	M12	-	44	75°	without O-Ring	DIN 30
PST.D40.69872.75B	19	20	14	17	M16	-	54	75°	with O-Ring	DIN 40
PST.D50.69872.75B	28	25	21	25	M24	-	74	75°	with O-Ring	DIN 50

CODOLI/PULL STUDS ISO 7388-3 AD - 75° (Din 69872) Double O-Ring



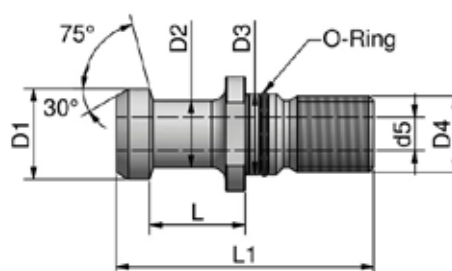
codice-code	d1	L	D2	D3	D4	d5 hole/foro	L1	α		application
FORATO WITH HOLE										
PST.D40.69872.75D-F7	19	20	14	17	M16	7	54	75°	Double O-Ring	DIN 40
PST.B40.69872.75D-F7	19	23	14	17	M16	7	54	75°	Double O-Ring	***BT 40
PST.D50.69872.75D-F11,5	28	25	21	25	M24	11,5	74	75°	Double O-Ring	DIN 50

CODOLI/PULL STUDS ISO 7388-3 UD/UF - 45° (ISO 7388/2 B)



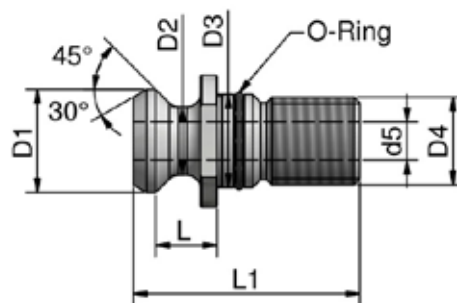
codice-code	d1	L	D2	D3	D4	d5 hole/foro	L1	α		application
FORATO WITH HOLE										
PST.D40.7388/2-B.45A-F7	18,95	11,15	12,95	17	M16	7	44,5	45°	with O-Ring	DIN 40
PST.D50.7388/2-B.45A-F11,5	29,10	17,95	19,60	25	M24	11,5	65,5	45°	with O-Ring	DIN 50
SENZA FORO WITHOUT HOLE										
PST.D40.7388/2-B.45B	18,95	11,15	12,95	17	M16	-	44,5	45°	with O-Ring	DIN 40
PST.D50.7388/2-B.45B	29,10	17,95	19,60	25	M24	-	65,5	45°	with O-Ring	DIN 50

CODOLI/PULL STUDS ISO 7388 / 2 A - 75°



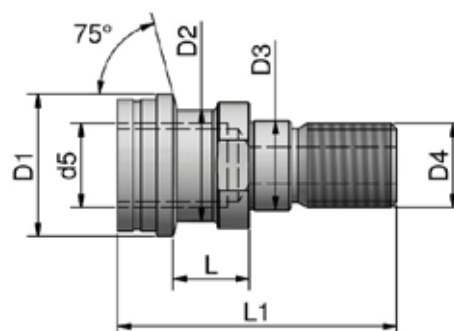
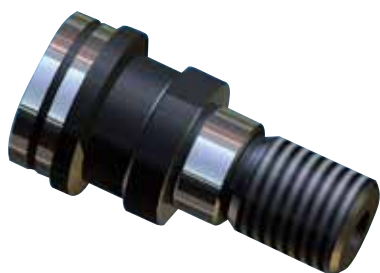
codice-code	d1	L	D2	D3	D4	d5 hole/foro	L1	α		application
FORATO WITH HOLE										
PST.D40.7388/2-A.75A-F7	19	20	14	17	M16	7	54	75°	with O-Ring	DIN 40
PST.D50.7388/2-A.75A-F11,5	28	25	21	25	M24	11,5	74	75°	with O-Ring	DIN 50
SENZA FORO WITHOUT HOLE										
PST.D40.7388/2-A.75B	19	20	14	17	M16	-	54	75°	with O-Ring	DIN 40
PST.D50.7388/2-A.75B	28	25	21	25	M24	-	74	75°	with O-Ring	DIN 50
PST.D50.7388/2-A.75C-10	28	25	21	25	M24	Chip10x4,7	74	75°	with O-Ring	DIN 50

CODOLI/PULL STUDS MAZAK CAT METRIC 45°



codice-code	d1	L	D2	D3	D4	d5 hole/foro	L1	α		application
FORATO WITH HOLE										
PST.D40.CATMAZ.45A-F7	18,8	11,17	12,45	17	M16	7	41,25	45°	with O-Ring	DIN 40
PST.D50.CATMAZ.45A-F10	28,95	17,78	20,83	25	M24	10	65,4	45°	with O-Ring	DIN 50
SENZA FORO WITHOUT HOLE										
PST.D40.CATMAZ.45B	18,8	11,17	12,45	17	M16	-	41,24	45°	with O-Ring	DIN 40

CODOLI/PULL STUDS OTT / ISO 7388-1 AD/AF



codice-code	d1	L	D2	D3	D4	d5 hole/foro	L1	α		application
FORATO WITH HOLE										
PST.D40.OTT-DIN.53A	25	14,52	21,1	17	M16		53,1	75°	without O-Ring	DIN 40
PST.D50.OTT-DIN.65A	39,6	14	32	25	M24		65	75°	without O-Ring	DIN 50
SENZA FORO WITHOUT HOLE										
PST.D40.OTT-DIN.53B	25	14,52	21,1	17	M16	-	53,1	75°	without O-Ring	DIN 40
PST.D50.OTT-DIN.65B	39,6	14	32	25	M24	-	65	75°	without O-Ring	DIN 50